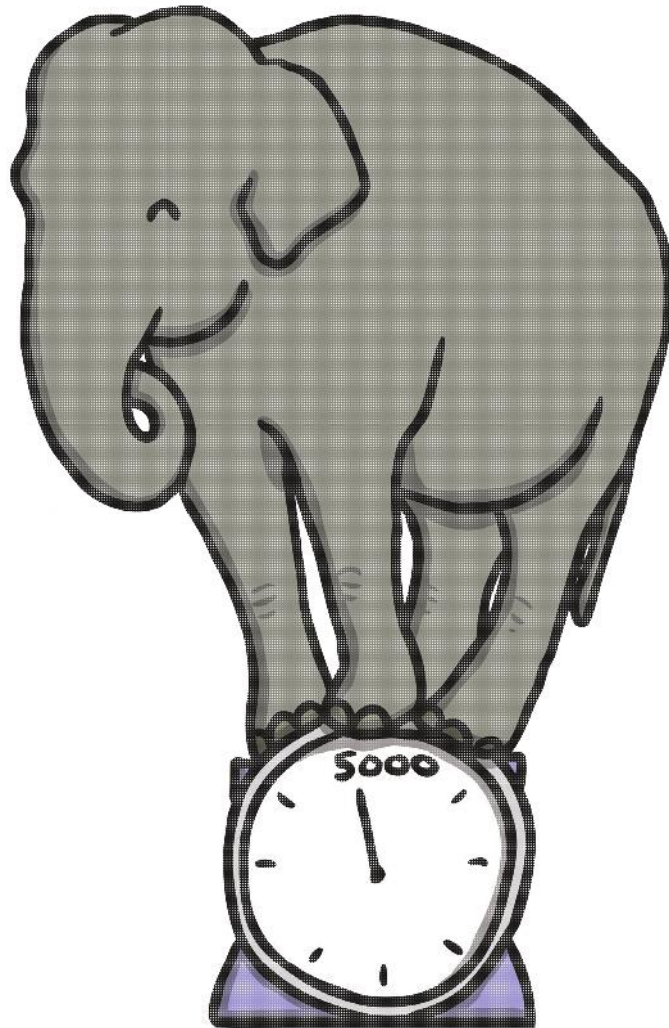


Maths Measures

Home Activity Booklet

Answers



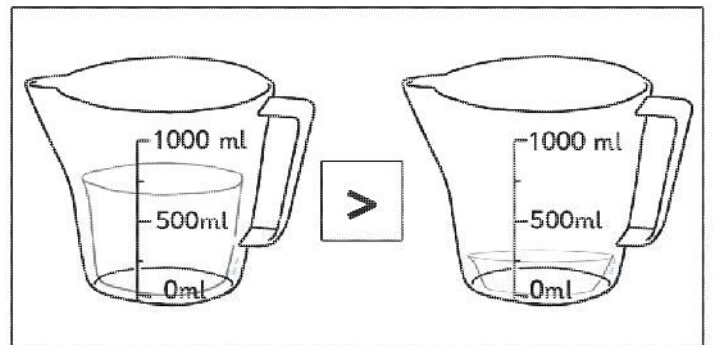
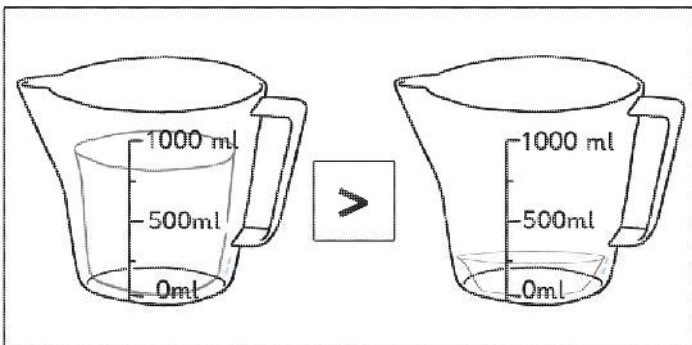
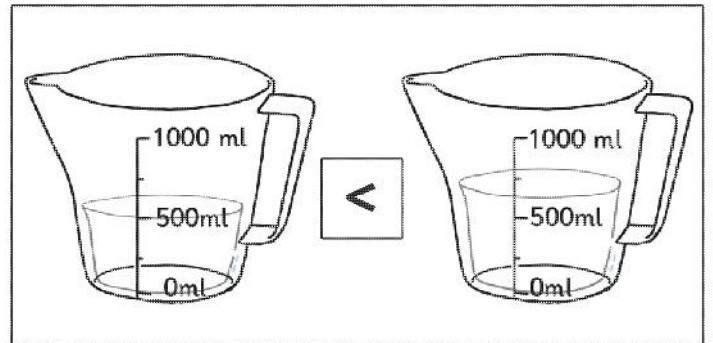
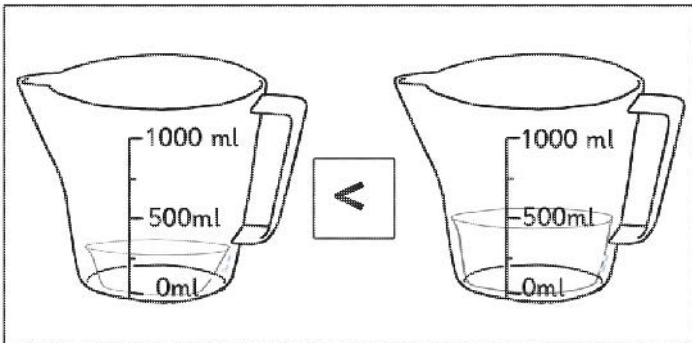
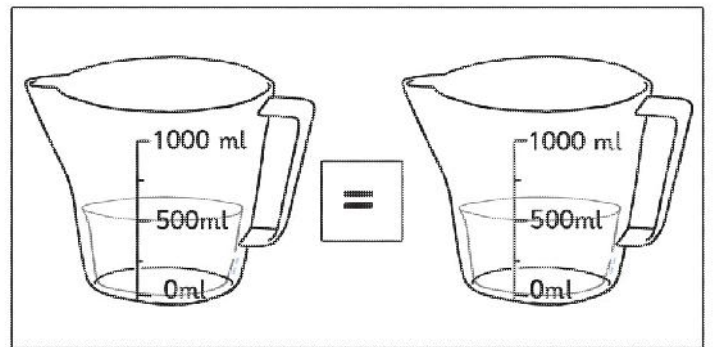
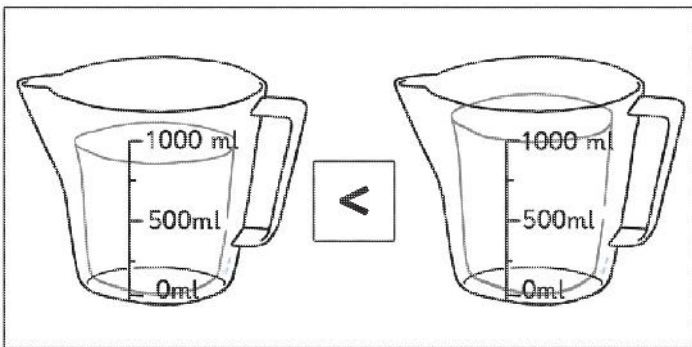
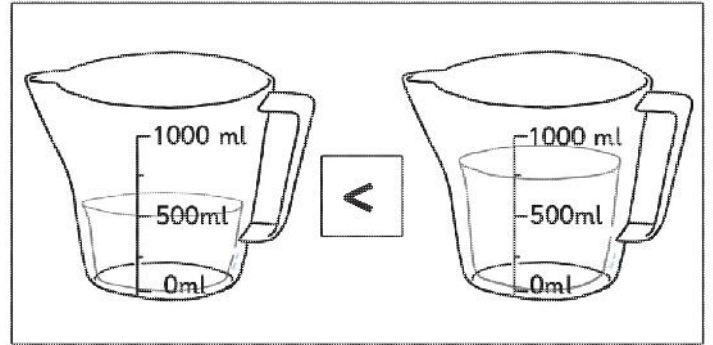
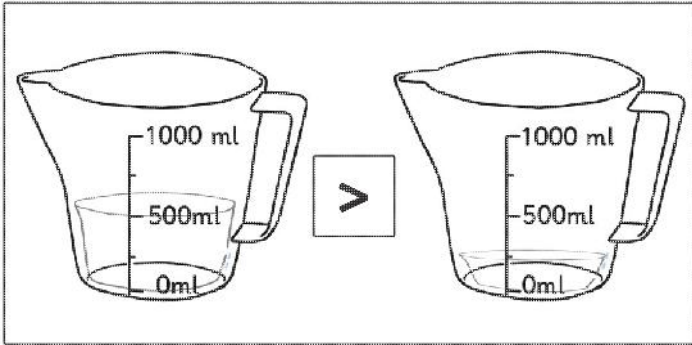
Compare, Describe and Solve Practical Problems for Lengths and Heights **Answers.**

question	answer
1	a) Skyscraper
2	True
3	True
4	a) a piece of spaghetti, c) a pencil and d) a cricket bat
5	True
6	b)mm
7	b) distance between the Moon and the Earth

Compare, Describe and Solve Practical Problems for Mass and Weight **Answers**

question	answer
1	b) the earth
2	c) bicycle
3	less, less, more
4	a) the moon and a feather
5	grey
6	b) 100g of flour and d) 50g of butter
7	Accept and suitable answer, e.g. he could be eating less/ exercising more.
8	They both weigh the same.

Comparing Capacity Answers



Compare, Describe and Solve Practical Problems for Time **Answers**

question	answer
Sheet 1	
1	one hour
2	a car
3	children to complete using a timer
4	b) drinking a glass of water
Sheet 2	
5	a) aeroplane
6	a) baby
7	Dave
8	d) year

Mass/Weight – First Measurements and Recording **Answers**

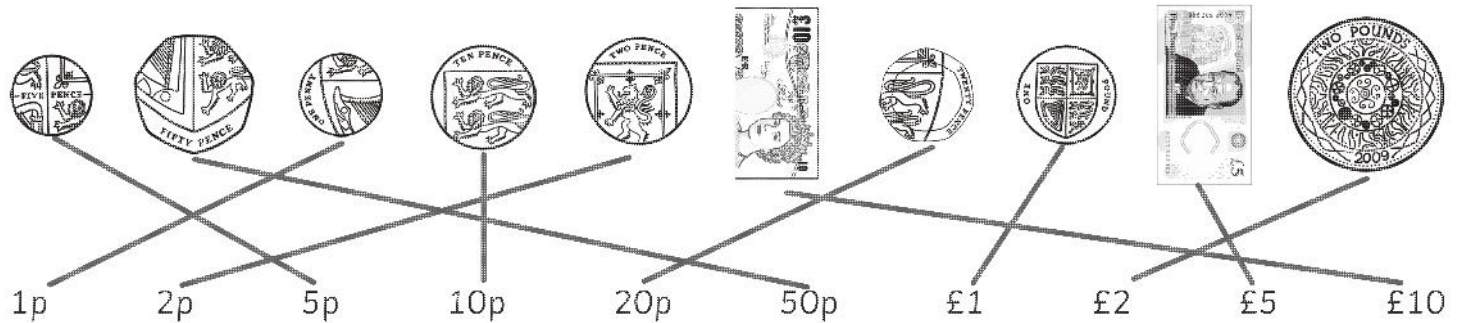
question	answer
A	pounds, grams, stones, ounces, kilogram
	Remaining answers for this sheet are not definitive.

First Measurements in Time **Answers**

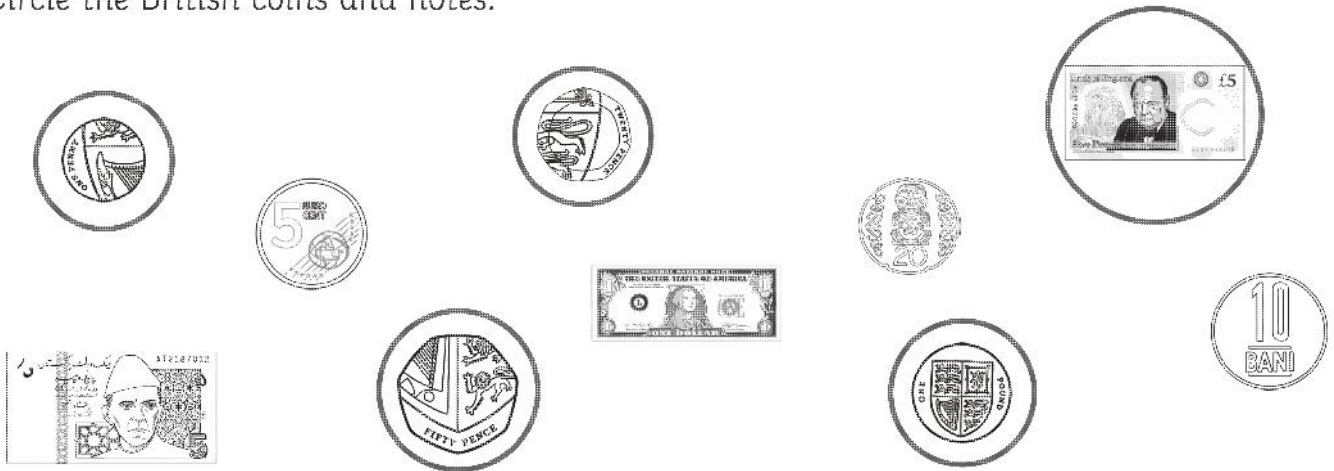
question	answer
A	seconds,days, years, minutes, hours
	Remaining answers for this sheet are not definitive.

Knowing British Coins and Notes **Answers**







A: Match each coin or note to the correct amount.









B: Circle the British coins and notes.



C: Add the two coins together to give you the total.

Coin 1	Coin 2	Total
		20p
		6p
		20p

Coin 1	Coin 2	Total
		15p
		£2
		£3

Times of the day **Answers**

A: Match the activity to the part or parts of the day when it might usually happen.

Eating breakfast

Brushing teeth

Bedtime story

Dinner

Lunch

Getting dressed

Getting Undressed

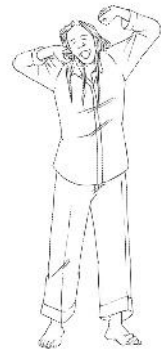
Waking up

Going to sleep

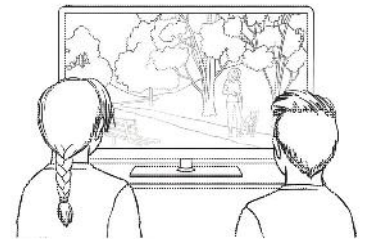
Have a bath

Play with friends

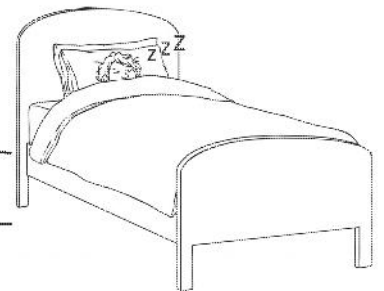
Watch TV



Morning



Afternoon



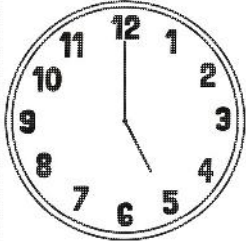
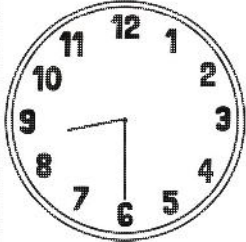
Evening

question	answer
B	1) after
	2) before
	3) before
	4) first, then
	5) then
	6) after

Days of the Week Answers

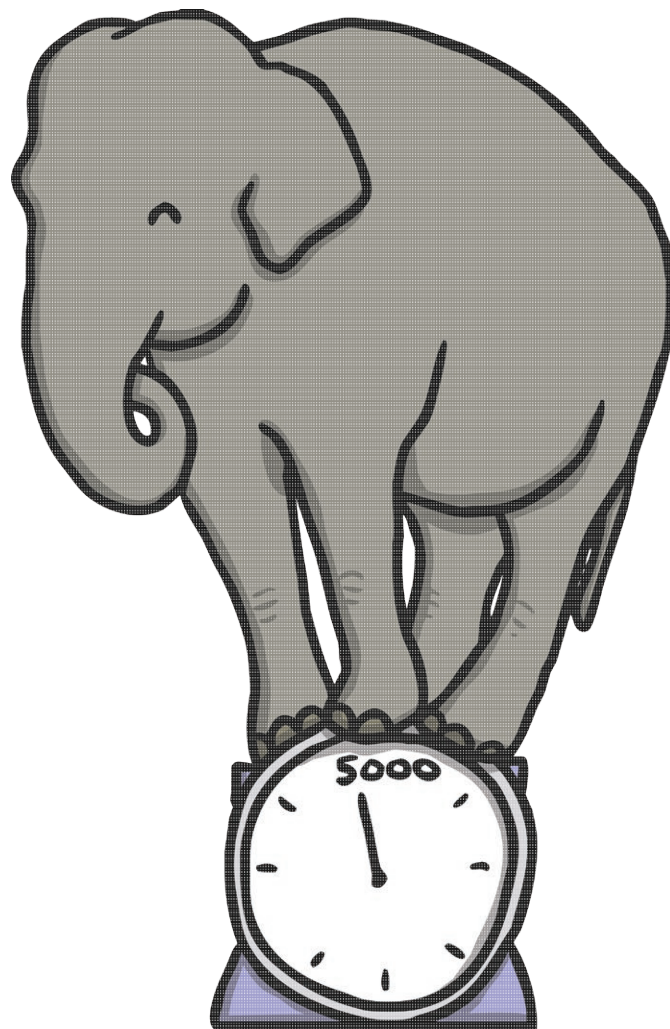
Yesterday	Today	Tomorrow
Tuesday	Wednesday	Thursday
Thursday	Friday	Saturday
Saturday	Sunday	Monday
Friday	Saturday	Sunday
Monday	Tuesday	Wednesday
Wednesday	Thursday	Friday
Sunday	Monday	Tuesday

Time on Clocks Answers

question	answer
1	5 o'clock
2	7 o'clock
3	half past 1
4	half past 7
5	half past 12
6	 An analog clock face with numbers 1 through 12. The hour hand is positioned between 1 and 2, and the minute hand is pointing exactly at 6. This represents the time 1:30.
7	 An analog clock face with numbers 1 through 12. The hour hand is positioned between 7 and 8, and the minute hand is pointing exactly at 6. This represents the time 7:30.

Maths Measures

Home Activity Booklet



Maths Measures Home Activity Booklet

Year 1 Programme of Study: Measures

Statutory Requirements	Activity Sheets	Page Number	Notes
Compare, describe and solve practical problems for:			
lengths and heights	Compare, describe and solve practical problems for lengths and heights	4	
mass /weight	Compare, describe and solve practical problems for mass and weight	5	
capacity and volume	Comparing capacity activity sheets	6	
time	Compare, describe and solve practical problems for time	7-8	
Measure and begin to record the following:			
lengths and heights	Find and measure length and height	9	
mass/weight	First measurements in weight	10-11	

capacity and volume	First measurements in volume and capacity	12-13	
time (hours, minutes, seconds)	First measurements in time	14	
recognise and know the value of different denominations of coins and notes;	Knowing british coins and notes	15	
sequence events in chronological order using language;	Sequencing events in chronological order	16	
recognise and use language relating to dates, including days of the week, weeks, months and years;	Days of the week yesterday and tomorrow	17	
tell the time to the hour and half past the hour and draw the hands on a clock face to show these times.	Half past worksheet	18	

Length and Height

Answer the following questions:

1. Which of these is likely to be the tallest?

- a) a skyscraper b) an elephant c) an adult d) a metre stick

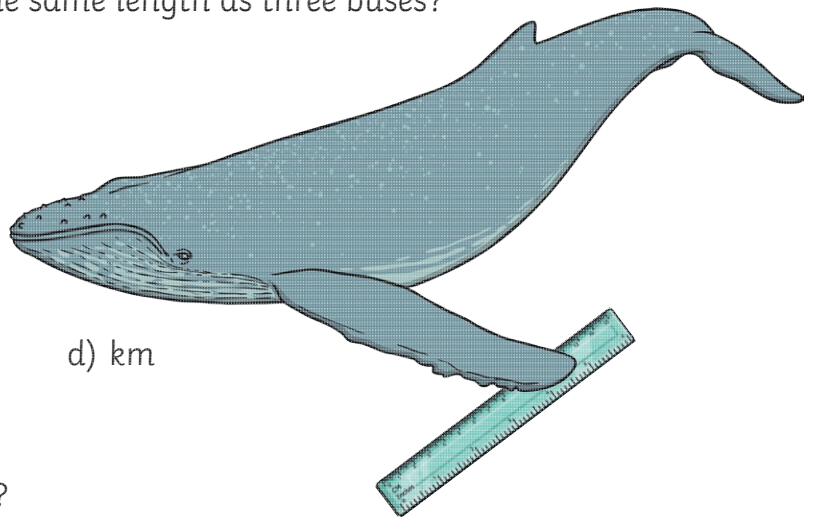
2. True or false: The length of a person's foot is usually about the same distance between their wrist and their elbow.

3. True or False: People stop growing somewhere between the ages of 15 and 19.

4. Which of these items might be less than a metre long?

- a) a piece of spaghetti b) a dog's lead c) a pencil d) a cricket bat

5. True or False: A blue whale is about the same length as three buses?



6. Which is the shortest distance?

- a) cm b) mm c) m d) km

7. Which would be the furthest distance?

- a) the distance between your house and school
b) the distance between the Moon and the Earth
c) the distance between your chair and the television
d) the distance between your house and where you went on holiday

Mass and Weight.

Answer the following questions:

1. Which of these might be the heaviest?

- a) a house b) the earth c) an elephant d) a book

2. Which of these would be the lightest?

- a) car b) train c) bicycle

3. Would these items weigh more or less than a big box of cereal?

- a) an apple
b) a newspaper
c) a baby

4. Which pair of objects would weigh the most?

- a) the moon and a feather b) a car and a ship c) a skyscraper and a house

5. If a black stone and a white stone weigh together the same as a grey stone, which stone is heaviest?

6. Which of these items in a recipe would you need to weigh?

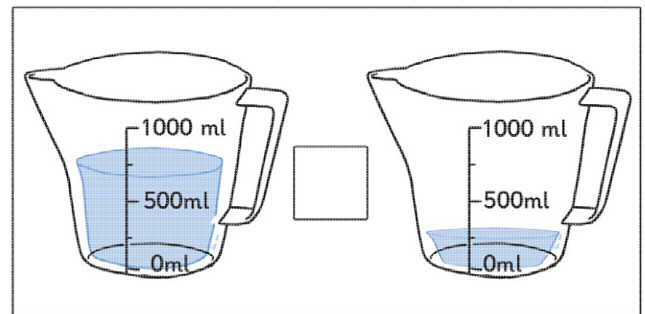
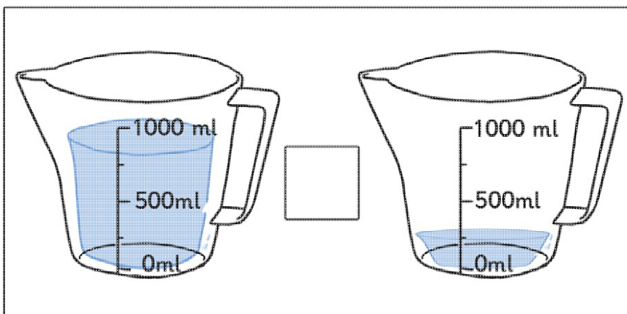
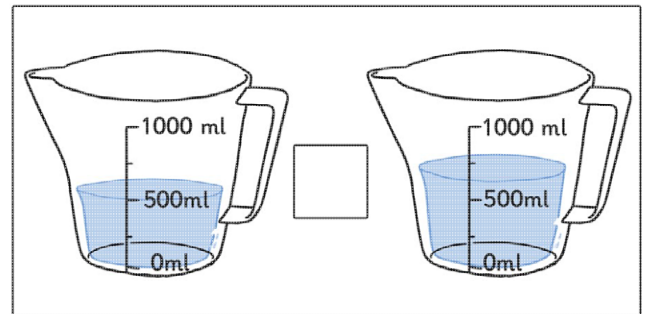
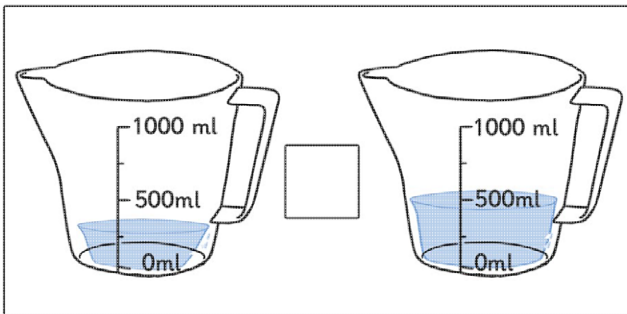
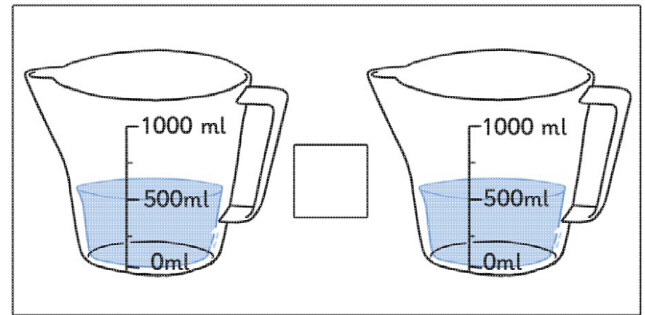
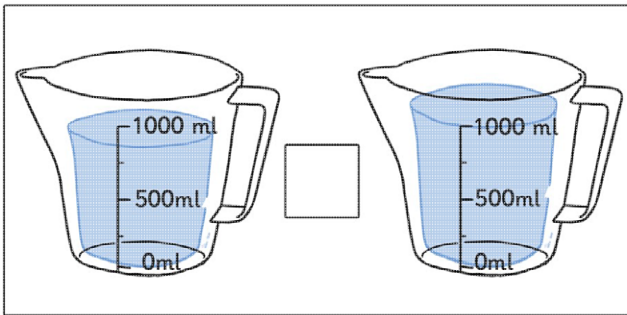
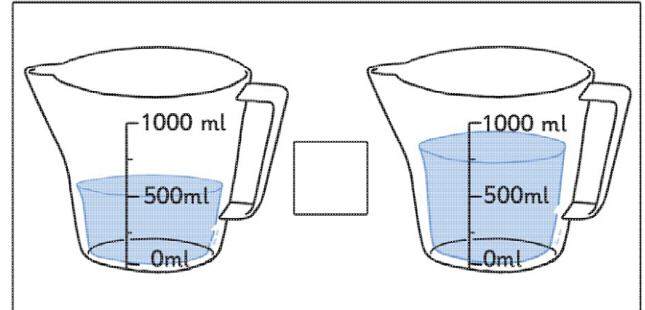
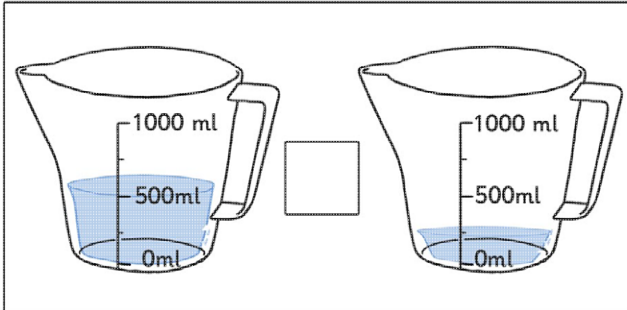
- a) One teaspoon of vanilla essence b) 100g of flour c) three eggs
d) 50g of butter e) two litres of milk

7. Dave weighs himself every day and every day he weighs a little bit less. Can you think of a reason why Dave weighs a little less every day?

8. Which is heavier, one kilogram of feathers or one kilogram of rocks?

Comparing Capacity

Use the $<$, $>$ or $=$ signs to compare the capacity



Time

Answer the following questions:

1. Which is longer:

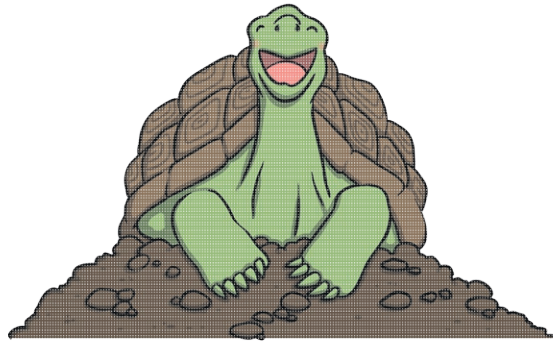
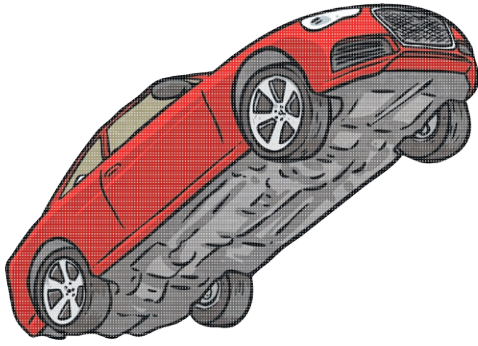
one minute

one hour

2. Which could go faster:

a tortoise

a car



3. Do you think you could run to your coat, put it on, take it off and then run back again in less time than one minute?

4. Which of these would probably take the least amount of time?

- a) carefully painting a picture
- b) drinking a glass of water
- c) sleeping over night
- d) travelling to school

5. Which of these methods of transport would travel the furthest in one hour?

- a) aeroplane
- b) train
- c) walking
- d) car

6. Which of these creatures do you think would finish last if they had a race?

- a) baby
- b) wolf
- c) rabbit
- d) adult

7. If Dave ran the race in 20 seconds and Tommy ran the race in 25 seconds, who was the winner?

8. Which is the best word to finish this sentence?

Fazan went on holiday at the same time every _____ .

- a) week
- b) minute
- c) day
- d) year



Find and Measure

Have a look at the list of objects. Estimate the length of the objects in centimetres. Then find the object and measure it using a ruler, metre stick or tape measure. Add some of your own objects to measure at the bottom of the list.

Object	Estimated Length	Actual Measurement
book		
remote control		
pencil		
pencil case		
eraser		
apple		
window		

Questions

Answer the following questions about your measurements:

1. What is the shortest object you measured?

2. What is the longest object you measured?

3. What is the difference in length between the longest and shortest objects you measured?

4. Which object had your most accurate estimation?

D: With some help, weigh the objects on a scale and record their actual weight.

Were you correct with your ordering?

object	apple	remote control	chair	dictionary	football	mobile phone
actual weight						

D: Write sentences about your objects using these phrases.

heavier than lighter than lightest heaviest weighs about the same as

a) _____

b) _____

c) _____

d) _____

Volume and Capacity

Volume is the amount of space an object takes capacity is the amount of space inside a container.

A: Find some bottles or cartons that contain or used to contain liquid, e.g. a water bottle. Find the number that shows the capacity of the carton or container and write it down in the space below.

Item (e.g. a water bottle)				
Capacity (e.g. 275ml)				

B: 1. Find a small container and a large container. Draw them here.

Small Container	Large Container

2. Fill your small container with water. Predict how much of the large container would be filled using the water from the small container. After predicting, pour the water into the large container, and then mark on the diagram above, the water height.

3. How many small containers of liquid do you think you will need to pour into the big container to fill it?

Write your estimate here: _____

Now fill your big container using your small container.

It actually took _____ small containers.

4. Find five different liquid containers and think about which would have the smallest capacity and which would have the largest capacity. Put them in order from smallest to largest capacity.

Order	Name	Drawing
1st		
2nd		
3rd		
4th		
5th		

Knowing British Coins and Notes

A: Match each coin or note to the correct amount.















1p 2p 5p 10p 20p 50p £1 £2 £5 £10

B: Circle the British coins and notes.



C: Add the two coins together to give you the total.

Coin 1	Coin 2	Total
		
		
		

Coin 1	Coin 2	Total
		
		
		

Times of the Day

A: Match the activity to the part or parts of the day when it might usually happen.

Eating breakfast

Brushing teeth

Bedtime story

Dinner

Lunch

Getting dressed

Getting Undressed

Waking up

Going to sleep

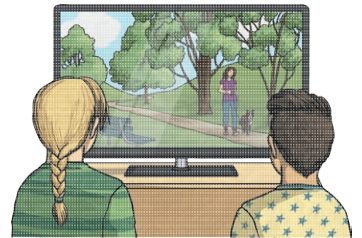
Have a bath

Play with friends

Watch TV



Morning



Afternoon



Evening

B. Select the correct word to fill in the gap.

before

after

next

then

first

1. _____ tea, we have our pudding.
2. We get undressed _____ we go to bed.
3. _____ we eat, we wash our hands.
4. _____ we get dressed _____ we go out.
5. We went on holiday _____ we came home.
6. _____ it rains, there are puddles.

Days of the Week

Yesterday and Tomorrow

Yesterday	Today	Tomorrow
	Wednesday	
	Friday	
	Sunday	
	Saturday	
	Tuesday	
	Thursday	
	Monday	

Monday

Tuesday

Wednesday

Thursday

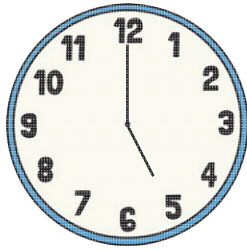
Friday

Saturday

Sunday

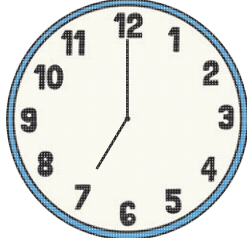
Time on Clocks

1.



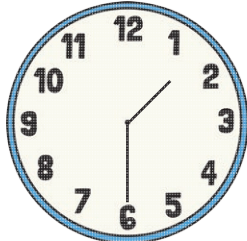
_____ o'clock

2.



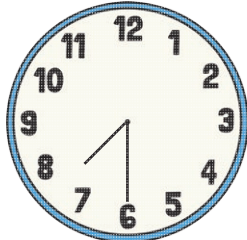
_____ o'clock

3.



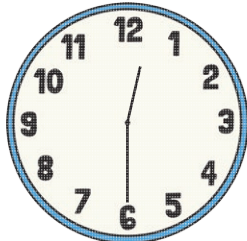
half past _____

4.



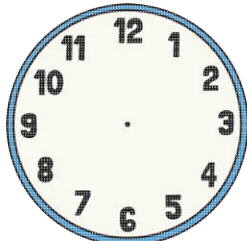
half past _____

5.



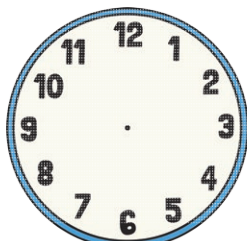
half past _____

6.



3 o'clock

7.



half past 8